

DATA SHEET

74LVT02

3.3V Quad 2-input NOR gate

Product specification

1996 Aug 15

IC24 Data Handbook

3.3V Quad 2-input NOR gate

74LVT02

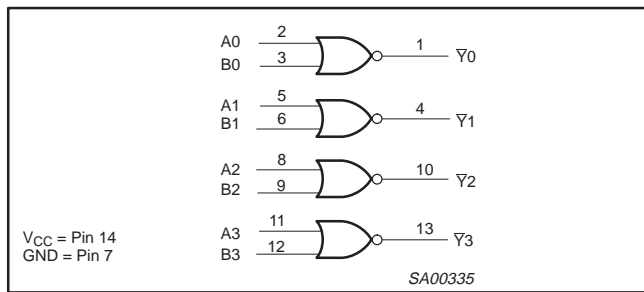
QUICK REFERENCE DATA

| SYMBOL | PARAMETER | CONDITIONS $T_{amb} = 25^{\circ}\text{C};$ $GND = 0V$ | TYPICAL | UNIT |
|------------------------|---|---|------------|------|
| t_{PLH} t_{PHL} | Propagation delay An or Bn to \bar{Y}_n | $C_L = 50\text{pF};$ $V_{CC} = 3.3V$ | 2.8 2.6 | ns |
| C_{IN} | Input capacitance | $V_I = 0V$ or $3.0V$ | 3 | pF |
| I_{CCL} | Total supply current | Outputs Low; $V_{CC} = 3.6V$ | 1 | mA |

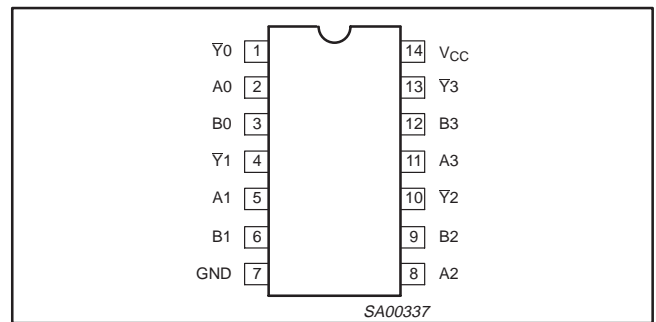
ORDERING INFORMATION

| PACKAGES | TEMPERATURE RANGE | OUTSIDE NORTH AMERICA | NORTH AMERICA | DWG NUMBER |
|----------------------|--|-----------------------|---------------|------------|
| 14-Pin Plastic SO | -40°C to $+85^{\circ}\text{C}$ | 74LVT02 D | 74LVT02 D | SOT108-1 |
| 14-Pin Plastic SSOP | -40°C to $+85^{\circ}\text{C}$ | 74LVT02 DB | 74LVT02 DB | SOT337-1 |
| 14-Pin Plastic TSSOP | -40°C to $+85^{\circ}\text{C}$ | 74LVT02 PW | 74LVT02PW DH | SOT402-1 |

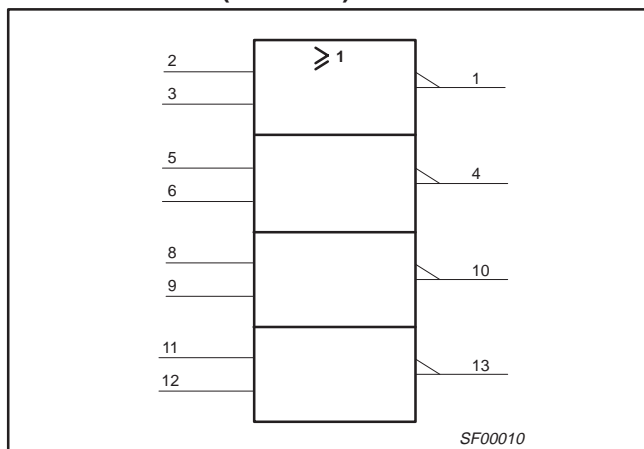
LOGIC SYMBOL



PIN CONFIGURATION



LOGIC SYMBOL (IEEE/IEC)



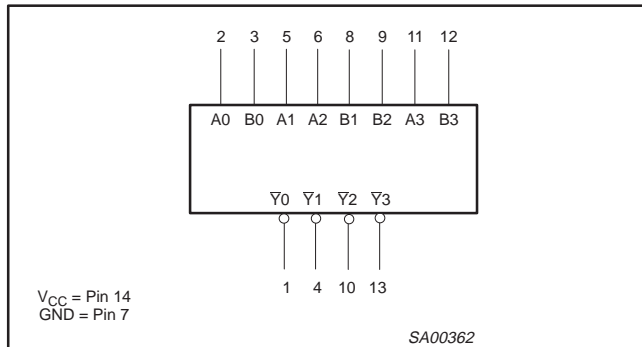
PIN DESCRIPTION

| PIN NUMBER | SYMBOL | NAME AND FUNCTION |
|--------------------------|-------------|-------------------------|
| 2, 3, 5, 6, 8, 9, 11, 12 | An-Bn | Data inputs |
| 1, 4, 10, 13 | \bar{Y}_n | Data outputs |
| 7 | GND | Ground (0V) |
| 14 | V_{CC} | Positive supply voltage |

3.3V Quad 2-input NOR gate

74LVT02

LOGIC DIAGRAM



FUNCTION TABLE

| INPUTS | | OUTPUT |
|--------|-----|-------------|
| Dna | Dnb | \bar{Q}_n |
| L | L | H |
| L | H | L |
| H | L | L |
| H | H | L |

NOTES:
 H = High voltage level
 L = Low voltage level

ABSOLUTE MAXIMUM RATINGS^{1, 2}

| SYMBOL | PARAMETER | CONDITIONS | RATING | UNIT |
|-----------|--------------------------------|-----------------------------|--------------|------|
| V_{CC} | DC supply voltage | | -0.5 to +4.6 | V |
| I_{IK} | DC input diode current | $V_I < 0$ | -50 | mA |
| V_I | DC input voltage ³ | | -0.5 to +7.0 | V |
| I_{OK} | DC output diode current | $V_O < 0$ | -50 | mA |
| V_{OUT} | DC output voltage ³ | Output in Off or High state | -0.5 to +7.0 | V |
| I_{OUT} | DC output current | Output in High state | -32 | mA |
| | | Output in Low state | 64 | |
| T_{stg} | Storage temperature range | | -65 to 150 | °C |

NOTES:

- Stresses beyond those listed may cause permanent damage to the device. These are stress ratings only and functional operation of the device at these or any other conditions beyond those indicated under "recommended operating conditions" is not implied. Exposure to absolute-maximum-rated conditions for extended periods may affect device reliability.
- The performance capability of a high-performance integrated circuit in conjunction with its thermal environment can create junction temperatures which are detrimental to reliability. The maximum junction temperature of this integrated circuit should not exceed 150°C.
- The input and output negative voltage ratings may be exceeded if the input and output clamp current ratings are observed.

RECOMMENDED OPERATING CONDITIONS

| SYMBOL | PARAMETER | LIMITS | | UNIT |
|---------------------|---|--------|-----|------|
| | | MIN | MAX | |
| V_{CC} | DC supply voltage | 2.7 | 3.6 | V |
| V_I | Input voltage | 0 | 5.5 | V |
| V_{IH} | High-level input voltage | 2.0 | | V |
| V_{IL} | Low-level Input voltage | | 0.8 | V |
| I_{OH} | High-level output current | | -20 | mA |
| I_{OL} | Low-level output current | | 32 | mA |
| $\Delta t/\Delta v$ | Input transition rise or fall rate; Outputs enabled | | 10 | ns/V |
| T_{amb} | Operating free-air temperature range | -40 | +85 | °C |

3.3V Quad 2-input NOR gate

74LVT02

DC ELECTRICAL CHARACTERISTICS

Over recommended operating conditions
 Voltages are referenced to GND (ground = 0V)

| SYMBOL | PARAMETER | TEST CONDITIONS | LIMITS | | | UNIT |
|-----------------|--|--|-----------------------|------------------|-----------|---------|
| | | | Temp = -40°C to +85°C | | | |
| | | | MIN | TYP ¹ | MAX | |
| V_{IK} | Input clamp voltage | $V_{CC} = 2.7V; I_{IK} = -18mA$ | | | -1.2 | V |
| V_{OH} | High-level output voltage | $V_{CC} = 2.7$ to $3.6V; I_{OH} = -100\mu A$ | $V_{CC}-0.2$ | | | V |
| | | $V_{CC} = 2.7V; I_{OH} = -6mA$ | 2.4 | | | |
| | | $V_{CC} = 3.0V; I_{OH} = -20mA$ | 2.0 | | | |
| V_{OL} | Low-level output voltage | $V_{CC} = 2.7V; I_{OL} = 100\mu A$ | | | 0.2 | V |
| | | $V_{CC} = 2.7V; I_{OL} = 24mA$ | | | 0.5 | |
| | | $V_{CC} = 3.0V; I_{OL} = 32mA$ | | | 0.5 | |
| I_I | Input leakage current | $V_{CC} = 0$ or $3.6V; V_I = 5.5V$ | | | 10 | μA |
| | | $V_{CC} = 3.6V; V_I = V_{CC}$ or GND | | | ± 1 | |
| I_{OFF} | Output off current | $V_{CC} = 0V; V_I$ or $V_O = 0$ to $4.5V$ | | | ± 100 | μA |
| I_{CCH} | Quiescent supply current | $V_{CC} = 3.6V; \text{Outputs High, } V_I = \text{GND or } V_{CC}, I_O = 0$ | | | 0.02 | mA |
| I_{CCL} | | $V_{CC} = 3.6V; \text{Outputs Low, } V_I = \text{GND or } V_{CC}, I_O = 0$ | | 1 | 2 | |
| ΔI_{CC} | Additional supply current per input pin ² | $V_{CC} = 3V$ to $3.6V; \text{One input at } V_{CC}-0.6V, \text{Other inputs at } V_{CC}$ or GND | | | 0.2 | μA |
| C_I | Input capacitance | $V_I = 3V$ or 0 | | 3 | | pF |

NOTES:

1. All typical values are at $V_{CC} = 3.3V$ and $T_{amb} = 25^\circ C$.
2. This is the increase in supply current for each input at the specified voltage level other than V_{CC} or GND.

AC CHARACTERISTICS

$GND = 0V; t_R = t_F = 2.5ns; C_L = 50pF, R_L = 500\Omega; T_{amb} = -40^\circ C$ to $+85^\circ C$.

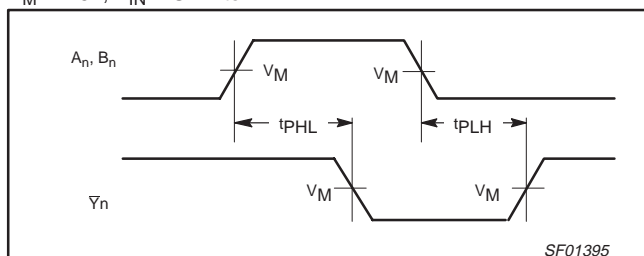
| SYMBOL | PARAMETER | WAVEFORM | LIMITS | | | | UNIT |
|------------------------|--|----------|--------------------------|------------------|------------|-----------------|------|
| | | | $V_{CC} = 3.3V \pm 0.3V$ | | | $V_{CC} = 2.7V$ | |
| | | | MIN | TYP ¹ | MAX | MAX | |
| t_{PLH} t_{PHL} | Propagation delay An or Bn to \bar{Y}_n | 1 | 1.0 1.0 | 2.8 2.6 | 4.4 3.6 | 5.2 3.4 | ns |

NOTE:

1. All typical values are at $V_{CC} = 3.3V$ and $T_{amb} = 25^\circ C$.

AC WAVEFORMS

$V_M = 1.5V, V_{IN} = \text{GND to } 2.7V$



Waveform 1. Propagation delay for inverting outputs

3.3V Quad 2-input NOR gate

74LVT02

TEST CIRCUIT AND WAVEFORMS

Test Circuit for Outputs

$V_M = 1.5V$
Input Pulse Definition

DEFINITIONS

R_L = Load resistor; see AC CHARACTERISTICS for value.

C_L = Load capacitance includes jig and probe capacitance; see AC CHARACTERISTICS for value.

R_T = Termination resistance should be equal to Z_{OUT} of pulse generators.

SV00022

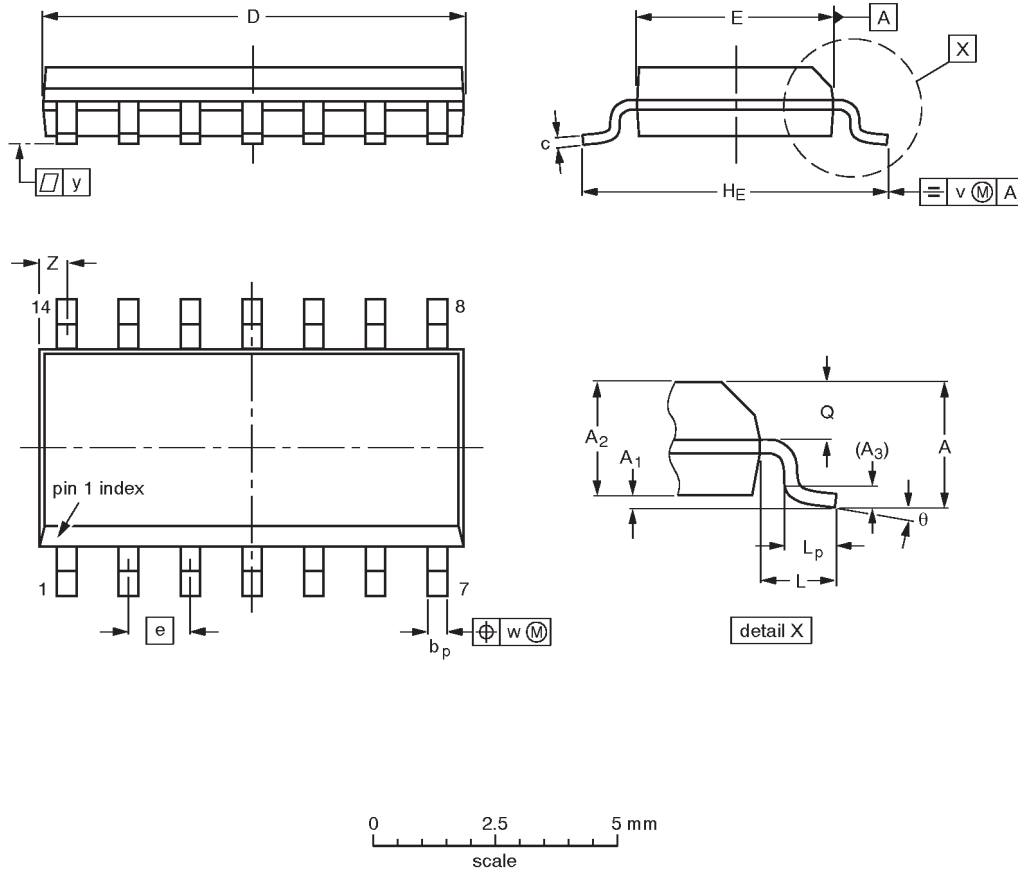
| FAMILY | INPUT PULSE REQUIREMENTS | | | | |
|--------|--------------------------|---------------------|-------|---------------------|---------------------|
| | Amplitude | Rep. Rate | t_w | t_r | t_f |
| 74LVT | 2.7V | $\leq 10\text{MHz}$ | 500ns | $\leq 2.5\text{ns}$ | $\leq 2.5\text{ns}$ |

3.3V Quad 2-input NOR gate

74LVT02

SO14: plastic small outline package; 14 leads; body width 3.9 mm

SOT108-1



DIMENSIONS (inch dimensions are derived from the original mm dimensions)

| UNIT | A max. | A ₁ | A ₂ | A ₃ | b _p | c | D ⁽¹⁾ | E ⁽¹⁾ | e | H _E | L | L _p | Q | v | w | y | Z ⁽¹⁾ | θ |
|--------|--------|------------------|----------------|----------------|----------------|------------------|------------------|------------------|-------|----------------|-------|----------------|----------------|------|------|-------|------------------|----------|
| mm | 1.75 | 0.25 0.10 | 1.45 1.25 | 0.25 | 0.49 0.36 | 0.25 0.19 | 8.75 8.55 | 4.0 3.8 | 1.27 | 6.2 5.8 | 1.05 | 1.0 0.4 | 0.7 0.6 | 0.25 | 0.25 | 0.1 | 0.7 0.3 | 8° 0° |
| inches | 0.069 | 0.0098 0.0039 | 0.057 0.049 | 0.01 | 0.019 0.014 | 0.0098 0.0075 | 0.35 0.34 | 0.16 0.15 | 0.050 | 0.24 0.23 | 0.041 | 0.039 0.016 | 0.028 0.024 | 0.01 | 0.01 | 0.004 | 0.028 0.012 | |

Note

1. Plastic or metal protrusions of 0.15 mm maximum per side are not included.

| OUTLINE VERSION | REFERENCES | | | | EUROPEAN PROJECTION | ISSUE DATE |
|-----------------|------------|----------|------|--|---------------------|----------------------|
| | IEC | JEDEC | EIAJ | | | |
| SOT108-1 | 076E06S | MS-012AB | | | | 91-08-13 95-01-23 |

3.3V Quad 2-input NOR gate

74LVT02

SSOP14: plastic shrink small outline package; 14 leads; body width 5.3 mm

SOT337-1



DIMENSIONS (mm are the original dimensions)

| UNIT | A max. | A ₁ | A ₂ | A ₃ | b _p | c | D ⁽¹⁾ | E ⁽¹⁾ | e | H _E | L | L _p | Q | v | w | y | Z ⁽¹⁾ | θ |
|------|--------|----------------|----------------|----------------|----------------|--------------|------------------|------------------|------|----------------|------|----------------|------------|-----|------|-----|------------------|----------|
| mm | 2.0 | 0.21 0.05 | 1.80 1.65 | 0.25 | 0.38 0.25 | 0.20 0.09 | 6.4 6.0 | 5.4 5.2 | 0.65 | 7.9 7.6 | 1.25 | 1.03 0.63 | 0.9 0.7 | 0.2 | 0.13 | 0.1 | 1.4 0.9 | 8° 0° |

Note

1. Plastic or metal protrusions of 0.25 mm maximum per side are not included.

| OUTLINE VERSION | REFERENCES | | | | EUROPEAN PROJECTION | ISSUE DATE |
|-----------------|------------|----------|------|--|---------------------|---------------------------------|
| | IEC | JEDEC | EIAJ | | | |
| SOT337-1 | | MO-150AB | | | | 95-02-04 96-01-18 |

3.3V Quad 2-input NOR gate

74LVT02

TSSOP14: plastic thin shrink small outline package; 14 leads; body width 4.4 mm

SOT402-1



DIMENSIONS (mm are the original dimensions)

| UNIT | A max. | A ₁ | A ₂ | A ₃ | b _p | c | D ⁽¹⁾ | E ⁽²⁾ | e | H _E | L | L _p | Q | v | w | y | Z ⁽¹⁾ | θ |
|------|--------|----------------|----------------|----------------|----------------|------------|------------------|------------------|------|----------------|-----|----------------|------------|-----|------|-----|------------------|----------|
| mm | 1.10 | 0.15 0.05 | 0.95 0.80 | 0.25 | 0.30 0.19 | 0.2 0.1 | 5.1 4.9 | 4.5 4.3 | 0.65 | 6.6 6.2 | 1.0 | 0.75 0.50 | 0.4 0.3 | 0.2 | 0.13 | 0.1 | 0.72 0.38 | 8° 0° |

Notes

1. Plastic or metal protrusions of 0.15 mm maximum per side are not included.
2. Plastic interlead protrusions of 0.25 mm maximum per side are not included.

| OUTLINE VERSION | REFERENCES | | | | EUROPEAN PROJECTION | ISSUE DATE |
|-----------------|------------|--------|------|--|---------------------|------------------------|
| | IEC | JEDEC | EIAJ | | | |
| SOT402-1 | | MO-153 | | | | -94-07-12- 95-04-04 |

3.3V Quad 2-input NOR gate

74LVT02

NOTES

3.3V Quad 2-input NOR gate

74LVT02

DEFINITIONS

| Data Sheet Identification | Product Status | Definition |
|----------------------------------|-------------------------------|--|
| <i>Objective Specification</i> | Formative or in Design | This data sheet contains the design target or goal specifications for product development. Specifications may change in any manner without notice. |
| <i>Preliminary Specification</i> | Preproduction Product | This data sheet contains preliminary data, and supplementary data will be published at a later date. Philips Semiconductors reserves the right to make changes at any time without notice in order to improve design and supply the best possible product. |
| <i>Product Specification</i> | Full Production | This data sheet contains Final Specifications. Philips Semiconductors reserves the right to make changes at any time without notice, in order to improve design and supply the best possible product. |

Philips Semiconductors and Philips Electronics North America Corporation reserve the right to make changes, without notice, in the products, including circuits, standard cells, and/or software, described or contained herein in order to improve design and/or performance. Philips Semiconductors assumes no responsibility or liability for the use of any of these products, conveys no license or title under any patent, copyright, or mask work right to these products, and makes no representations or warranties that these products are free from patent, copyright, or mask work right infringement, unless otherwise specified. Applications that are described herein for any of these products are for illustrative purposes only. Philips Semiconductors makes no representation or warranty that such applications will be suitable for the specified use without further testing or modification.

LIFE SUPPORT APPLICATIONS

Philips Semiconductors and Philips Electronics North America Corporation Products are not designed for use in life support appliances, devices, or systems where malfunction of a Philips Semiconductors and Philips Electronics North America Corporation Product can reasonably be expected to result in a personal injury. Philips Semiconductors and Philips Electronics North America Corporation customers using or selling Philips Semiconductors and Philips Electronics North America Corporation Products for use in such applications do so at their own risk and agree to fully indemnify Philips Semiconductors and Philips Electronics North America Corporation for any damages resulting from such improper use or sale.

Philips Semiconductors
811 East Arques Avenue
P.O. Box 3409
Sunnyvale, California 94088-3409
Telephone 800-234-7381

Philips Semiconductors and Philips Electronics North America Corporation
register eligible circuits under the Semiconductor Chip Protection Act.
© Copyright Philips Electronics North America Corporation 1996
All rights reserved. Printed in U.S.A.

(print code)

Date of release: July 1994

Document order number:

9397-750-04846